

MATERIAL

INSULATOR: HI-TEMP PPS UL 94V-0, 240°C
 CONTACT: COPPER ALLOY.
 PLATING: MATING AREA – GOLD FLASH GOLD OVER NICKEL.
 SOLDER AREA – TIN OVER NICKEL.

ELECTRICAL

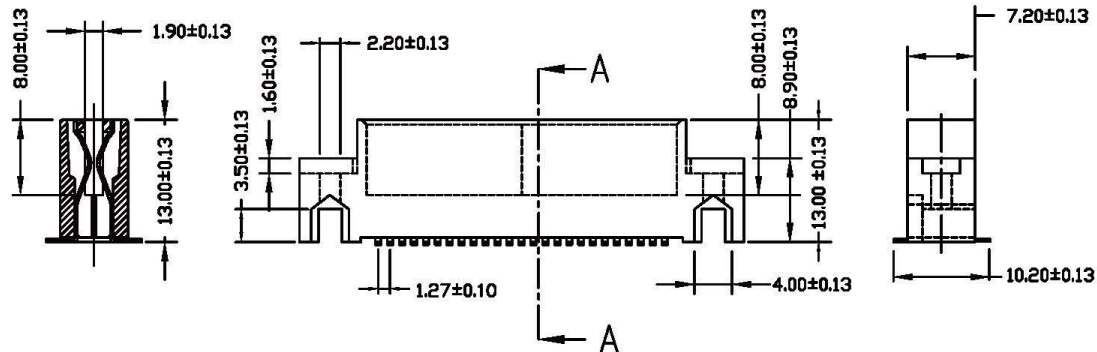
VOLTAGE RATING: 250 VAC RMS.
 CURRENT RATING: 1 AMP.
 DIELECTRIC WITHSTANDING VOLTAGE: 500 VAC RMS 60Hz
 FOR 1 MINUTE.
 INSULATION RESISTANCE: 1000 MEGOHMS MIN AT 500 VDC.
 CONTACT RESISTANCE: 30 MILLIOHMS MAX.

MECHANICAL

RETENTION FORCE: 460 GRAMS MIN PER CONTACT.
 INSERTION FORCE: 230 GRAMS MAX PER CONTACT PAIR.
 WITHDRAWAL FORCE: 15 GRAMS MIN PER CONTACT PAIR.

ENVIRONMENTAL

TEMPERATURE RANGE: -55°C TO +85°C.



RECOMMENDED PCB LAYOUT (TOP VIEW)

PIN	DIMENSION					PIN	DIMENSION				
	A	B	C	D	E		A	B	C	D	E
10	21.85	15.35	9.60	7.62	5.08	56	51.06	44.56	38.81	36.83	34.29
12	23.12	16.62	10.87	8.89	6.35	60	53.60	47.10	41.35	39.37	36.83
18	26.93	20.43	14.68	12.70	10.16	62	54.87	48.37	42.62	40.64	38.10
20	28.20	21.70	15.95	13.97	11.43	64	56.14	49.64	43.89	41.91	39.37
22	29.47	22.97	17.22	15.24	12.70	68	58.68	52.18	46.43	44.45	41.91
28	33.28	26.78	21.03	19.05	16.51	70	59.95	53.45	47.70	45.72	43.18
30	34.55	28.05	22.30	20.32	17.78	72	61.22	54.72	48.97	46.99	44.45
32	35.82	29.32	23.57	21.59	19.05	80	66.30	59.80	54.05	52.07	49.53
34	37.09	30.59	24.84	22.86	20.32	90	72.65	66.15	60.40	58.42	55.88
36	38.36	31.86	26.11	24.13	21.59	98	77.73	71.23	65.48	63.50	60.96
38	39.63	33.13	27.38	25.40	22.86	100	79.00	72.50	66.75	64.77	62.23
40	40.90	34.40	28.65	26.67	24.13	110	85.35	78.85	73.10	71.12	68.58
42	42.17	35.67	29.92	27.94	25.40	112	86.62	80.12	74.37	72.39	69.85
44	43.44	36.94	31.19	29.21	26.67	120	91.70	85.20	79.45	77.47	74.93
46	44.71	38.21	32.46	30.48	27.94	124	94.24	87.74	81.99	80.01	77.47
48	45.98	39.48	33.73	31.75	29.21	164	119.64	113.14	107.39	105.41	102.87
50	47.25	40.75	35.00	33.02	30.48	184	132.34	125.84	120.09	118.11	115.57

All Connectors

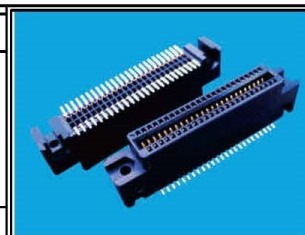
www.allconnectors.de info@allconnectors.de
 Tel.: 0049 711 7009503 Fax: 0049 711 7009504
 70794 Filderstadt - Germany Kettenerstr. 25

RoHS Compliant

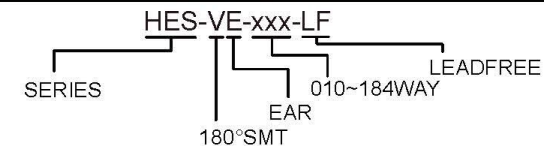
DRAWING BY CY
 CHECKED BY GENIUS
 UNIT/ mm SCALE 1 : 1
 DATE
 SIZE A4 PROJECTION

TOLERANCES ARE

X ±
 .X ±
 .XX ±
 .XXX ±
 ANG ±



ORDER INFORMATION



DESCRIPTION: 1.27 PITCH CARD EDGE ROW GAP 1.90mm SMT WITH MOUNTING EAR